

## Frozen Frozen granita dispenser with 1 bowl, electronic control

ITEM # \_\_\_\_\_

MODEL # \_\_\_\_\_

NAME # \_\_\_\_\_

SIS # \_\_\_\_\_

AIA # \_\_\_\_\_


**562509 (IPRO1ER290)**

 Frozen Granita Dispenser  
 with 1X11 l insulated bowl,  
 electronic control, R290

### Short Form Specification

**Item No.** \_\_\_\_\_

Frozen granita dispenser with 1 bowl; the ITANK™ Technology prevents ice accumulation on the outer side of the bowl and the bowl shape allows a natural mixing action to ensure an optimum consistency of the product. Customizable lid merchandiser and back graphic. Electronic control system and touch screen keypad. Sliding drip tray.

### Main Features

- Ideal for the production of slush.
- The insulated tank guarantees higher cooling efficiency and lower effect of the external temperature on product's preparation and maintenance time reducing condense and draining; it is the best solution in hot climate conditions.
- The ITANK™ Technology prevents ice accumulation on the outer side of the bowl, reducing condensation and increasing the cooling power of the machine.
- Bowl shape allows a natural mixing action to ensure an optimum consistency of the product.
- Customizable lid merchandiser and back graphic.
- Daily and weekly machine programming functionality.

### Construction

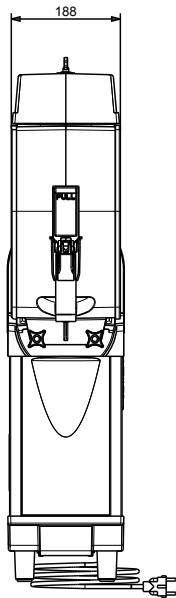
- Electronic control system and touch screen keypad.
- Sliding drip tray.

### Sustainability

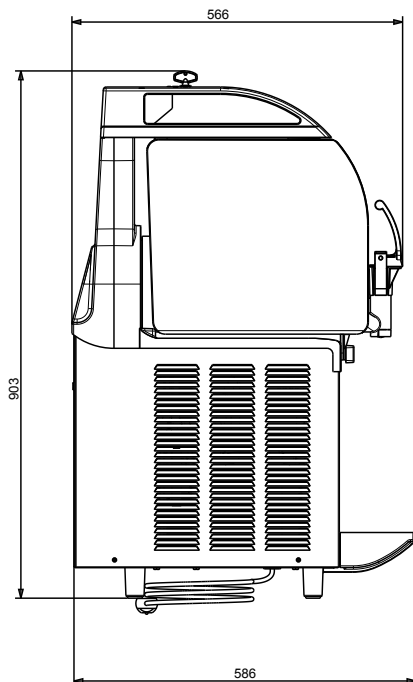
- When the product reaches the right consistency, an automatic stand-by mode activates in order to save energy and reduce CO2 emissions.


**APPROVAL:** \_\_\_\_\_

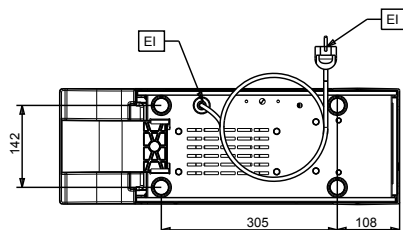
Front



Side



Top



## Electric

### Supply voltage:

562509 (IPRO1ER290) 220-240 V/1 ph/50 Hz

### Electrical power max.:

0.44 kW

## Key Information:

External dimensions, Width: 200 mm

External dimensions, Depth: 580 mm

External dimensions, Height: 870 mm

Net weight: 39 kg

## Sustainability

Refrigerant type: R290

Refrigerant weight: 90 g